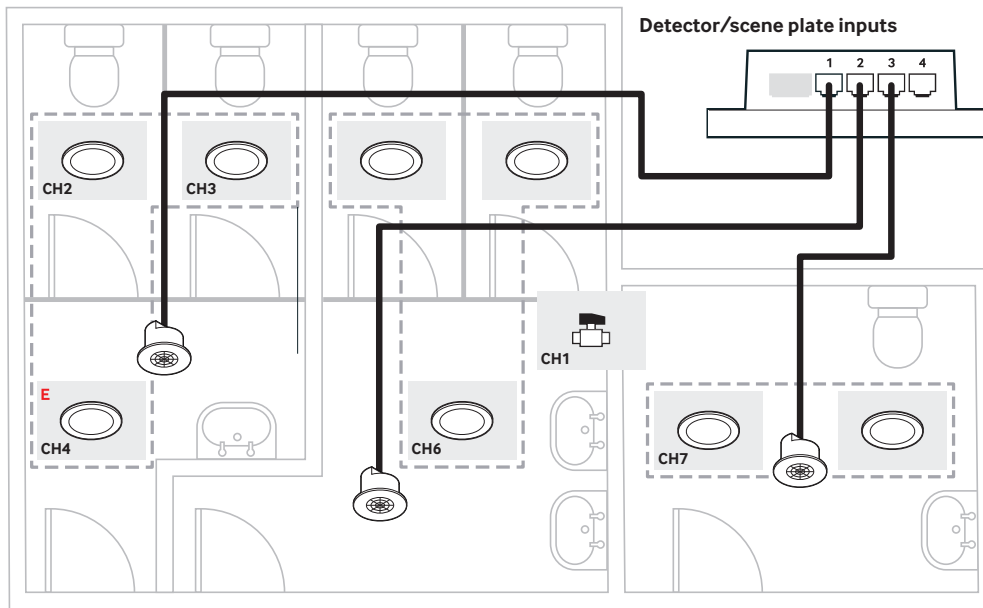


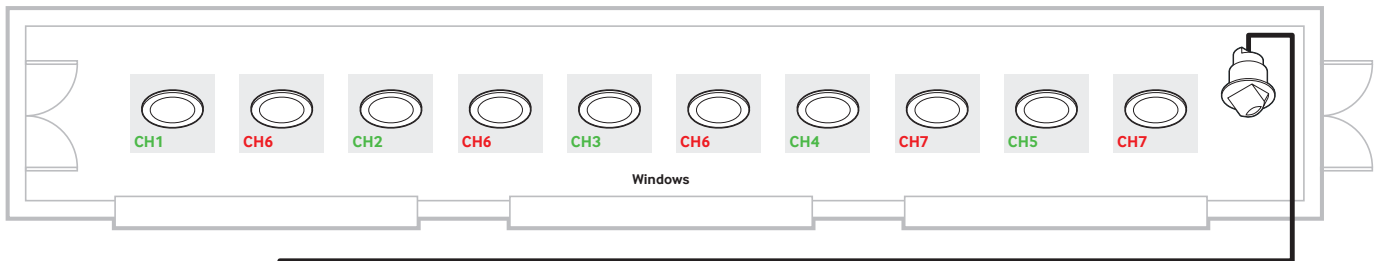
Config 49 – 3 toilets each controlled separately in presence mode by a PIR connected to inputs 1, 2 and 3. Channel 1 only responds in presence mode to all 4 detector inputs



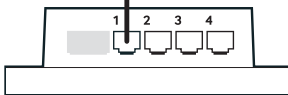
3 toilets each controlled individually in presence mode, with the option of manual switch for absence if required. PIRs connected to inputs 1,2,3.channel 1 only responds to all 4 detector inputs. This is for water shut off valve so that if no occupancy is detected the water supply is isolated.

- Upon entering the space luminaires will automatically switch on.
- Water shut off valve
- E** Emergency Luminaires

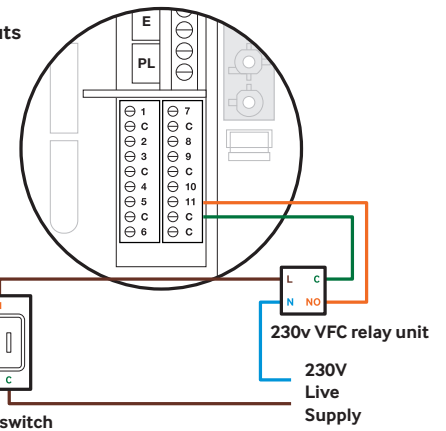
Config 50 – Corridor with 50% of luminaires controlled by a PIR and 50% controlled by switch input.



Detector/scene plate inputs



Switch inputs



Upon entering the space luminaires will automatically switch on.

CH1 CH2 Switched by detector only
CH3 CH4
CH6 CH7 Switched by keyswitch

50% of the LCM is controlled via a mains rated keyswitch and VFC contact relay. This will be switched to 'on' during occupancy hours. The VFC contact provides a latching command when energised to switch on the lighting (switch input 11, paralleled with corridor hold input terminal). The rest of the LCM is responsive to PIR inputs only. During out of hours occupancy when the key switch is turned off 50% of the LCM will respond to the PIR input only.